



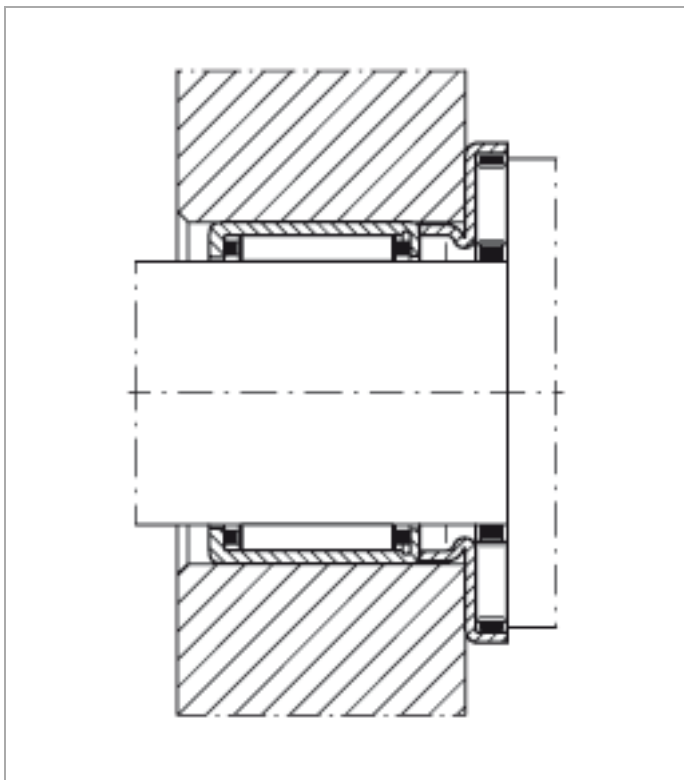
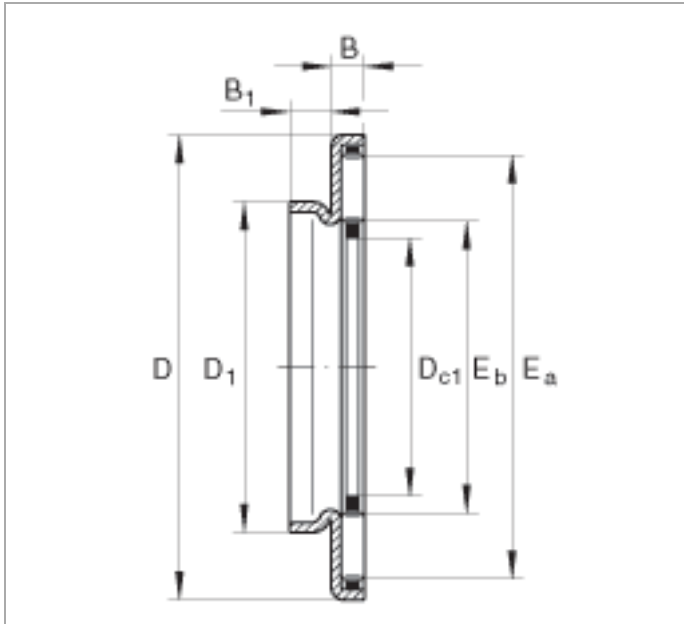
Axial needle roller bearings AXW20

(Series AXW)

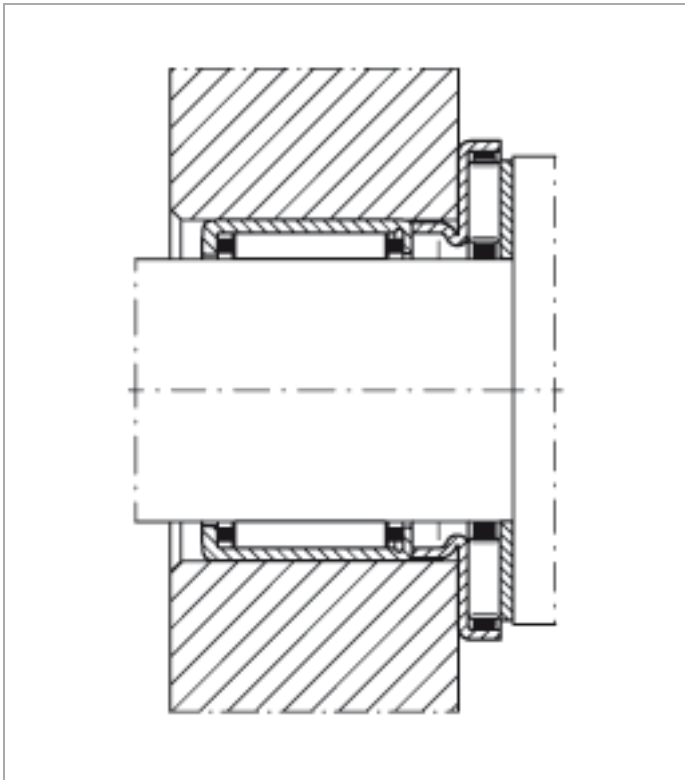
single direction, AXK with axial bearing washer

The datasheet is only an overview of dimensions and basic load ratings of the selected product. Please always observe all the guidelines in these overview pages. Further information is given on many products under the menu item "Description". You can also order comprehensive information via the Catalogue ordering system (<http://www.ina.de/content.ina.de/en/mediathek/library/library.jsp>) or by telephone on +49 (91 32) 82 - 28 97.

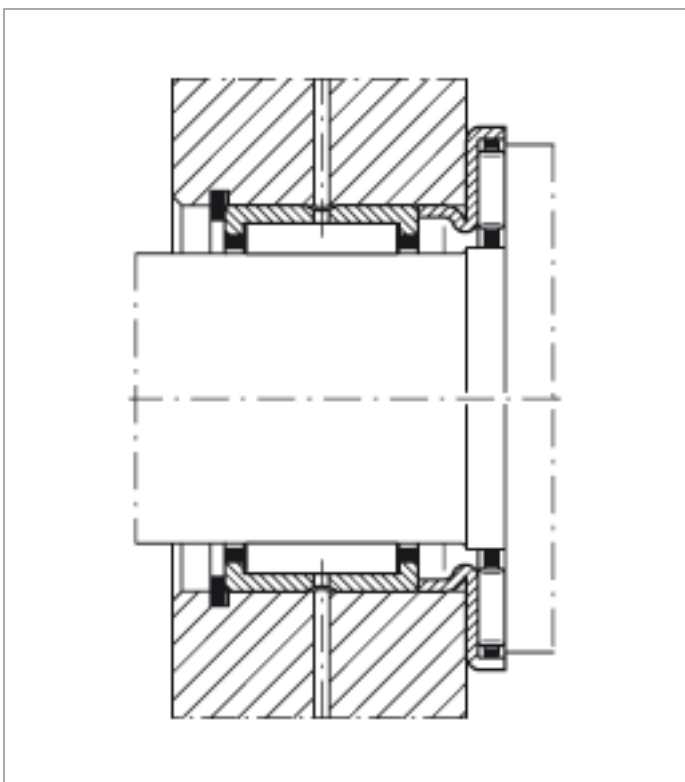
Dc1	20 mm
D	38 mm
B	3,2 mm
B1	3,5 mm
D1	26 mm
Ea	34 mm
Eb	22 mm
m	14 g Mass
Ca	13100 N Basic dynamic load rating, axial
C0a	46500 N Basic static load rating, axial
Cua	4750 N Fatigue limit load
ng	10500 1/min Limiting speed
nB	5300 1/min Reference speed
	AS2035 Allocated axial bearing washer
	Suitable for combination with various drawn cup needle roller bearings and needle roller bearings, see under "Accessories".
	HK2012, HK2016, HK2020, HK2030-ZW HK2018-RS BK2016, BK2020 NK18/16, NK18/20



AXW with HK



AXW with AS and HK





AXW with NK, NKS, NA49, NA69